

Hammer mill

Type Multimill B 630-800-1000



Hammer mills for high-performance grinding in fish feed and petfood production lines. The standard features of the Multimill B are:

- High-capacity particle size distribution
- High-speed operation
- Superior feed quality
- Reduced energy consumption
- Nutritive value of feed ingredients protected by low-temperature operation
- Reversible direction of rotation
- Temperature monitoring of bearing

The Multimill B is designed with a directly coupled motor on a base frame. The screen diameter is 650 mm, and the se-

ries includes four sizes. The mill housing has bottom-hinged sliding doors for easy access to screen and hammer change. The screens are suspended in chains. The grinding chamber has a built-in stone-trap at the bottom, and the doors are supplied with safety locking devices.

Hammer mill

Type Multimill B 630-800-1000

Optional features

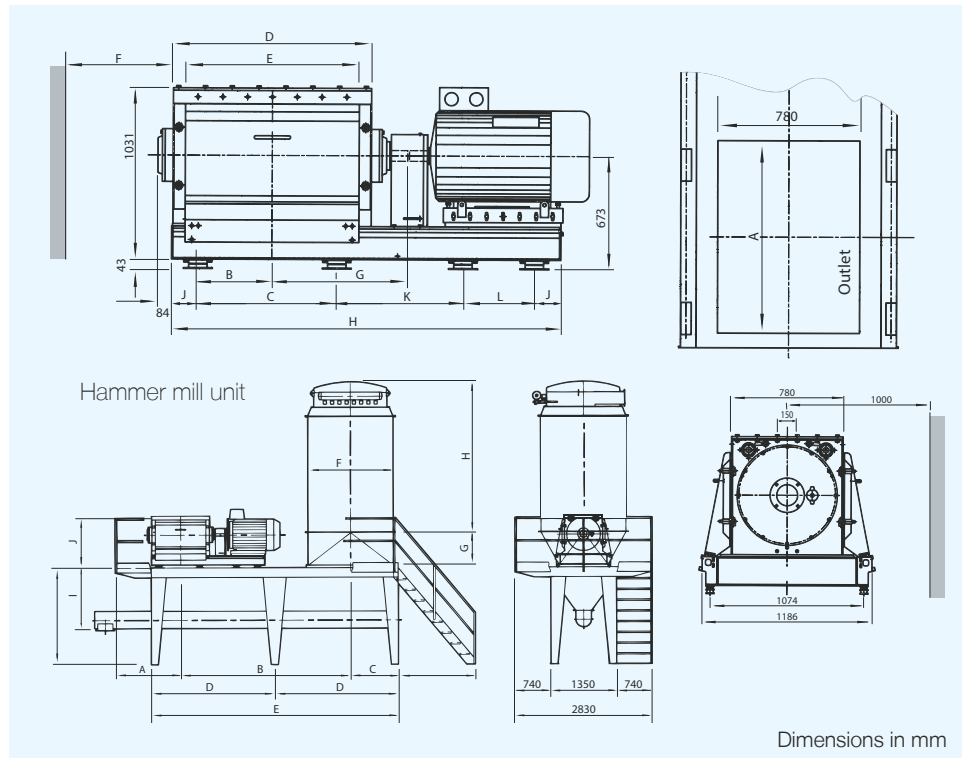
- Grinding chamber temperature monitoring
- Rotor brake device
- Tangential material feeding for difficult products

Accessories

- Hammer mill control
- Discharge bin
- Aspiration filter
- Operating platform
- Feeding system

Feeder system for even material distribution

Material feeding in full grinding chamber length to ensure particle size control and provide uniform load on screens and hammers.



Dimensions in mm

Technical data: Dimensions

Multimill B	Dimensions in mm											Separator inlet		Weights kg excl. motor	Volume m ³ in seaworthy packing
	A	B	C	D	E	F	G	H	J	K	L	M	N		
630	658	248	809	802	642	620	605	1829	156	709		570	500	1290	3.30
800	838	339	730	972	812	790	670	2125	156	545	540	570	500	1410	3.75
1000	1065	448	840	1251	1039	990	775	2355	160	665	540	570	500	2265	4.40

Technical data: Hammer mill

Multimill B	Motor power kW	Motor, 50/60 Hz rpm	Screen area dm ²	Hammer 6 mm	Air flow m ³ /h	Filter area m ²	Filter type EFF WB	Discharge screw, type SC SP
630	90-110	3000/3600	83	92	4000	20	30/1800	250
800	110-200	3000/3600	106	116	5000	24	36/1800	250
1000	200-250	3000/3600	146	152	6300	33	48/1800	315

Technical data: Unit

Multimill B	Dimensions in mm									
	A	B	C	D	E	F	G	H	I	J
630	1145	2674	781	1950	3900	1350	300	2450	1170	1074
800	1235	3130	855	2235	4470	1500	450	2625	1170	1074
1000	1350	3370	981	2500	5000	1750	685	2750	1290	1074

ANDRITZ Feed & Biofuel A/S
 Glentevej 5-7
 6705 Esbjerg, Denmark
 Phone: +45 72 160 300
 andritz-fb.dk@andritz.com
www.andritz.com/ft