

Hammer mill

Type Optimill 500–700–900



High capacity hammer mill for fine to coarse grinding of feeds.

The advantages of the Optimill hammer mill series, which ensure optimum grinding in the production line, are:

- Optimum particle size distribution
- High capacity
- Low speed
- Reduced noise level
- Energy-saving closed rotor design
- Staggered hammer rows for optimum coverage of the screen area
- Reversible direction of rotation
- Hammer turning in rows
- Large sliding doors allow free access for maintenance
- Controlled material feeding and distribution
- Temperature monitoring of bearing

Feeder system ensures even material distribution

Material feeding over the entire grinding chamber length ensures control of particle size and gives uniform load on screens and hammers.

Hammer mill

Type Optimill 500–700–900

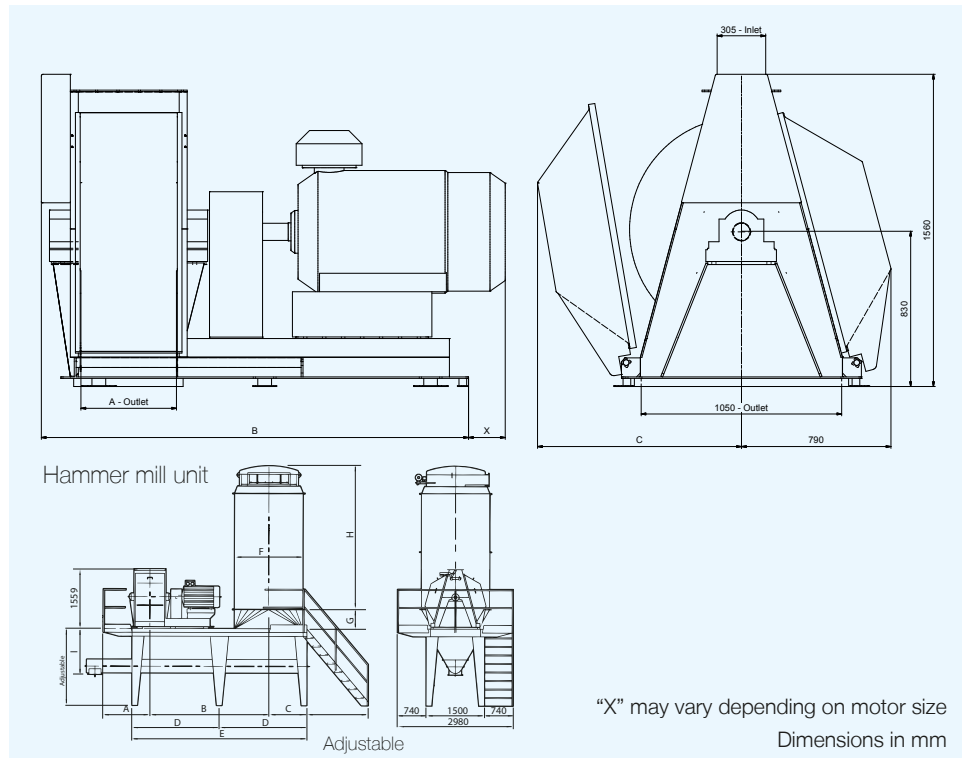
Screw feeders are double screw type mounted over the separator. The load-dependent hammer mill feeder system is an integrated part of the ANDRITZ hammer mill control A-HM1, which ensures optimum grinding performance and maximum energy utilization.

Additional equipment

- Temperature monitoring in grinding chamber

Accessories

- Feeder system
- Hammer mill control
- Discharge plenum
- Operating platforms
- Aspiration filter



Technical data: Hammer mill

Optimill	Dimensions in mm			Motor power kW	Motor max. rpm	Screen area m ²	Hammer 6 mm	Weight kg excl. motor	Volume m ³ in seaworthy packing
	A	B	C						
500	500	2255	1060	110-160	1500	1.43	72	1310	8
700	700	2455	1175	160-250	1500	2.00	104	1950	10
900	900	2905	1175	250-355	1500	2.57	136	2690	11.3

Technical data: Unit

Optimill	Air flow m ³ /h	Filter area m ²	Filter type EFF WB	Discharge screw, type SC SP	Number of legs	Dimensions in mm									
						A	B	C	D	E	F	G	H	I	
500	3600	20	30/1800	250	6	1100	2529	710	-	3600	1350	300	2450	1270	
700	5000	24	36/1800	315	6	1200	3060	985	2250	4500	1500	300	2600	1340	
900	6400	33	48/1800	315	8	1300	3160	985	2350	4800	1750	500	2625	1340	

ANDRITZ Feed & Biofuel A/S
 Glentevej 5–7
 6705 Esbjerg, Denmark
 Phone: +45 72 160 300
 andritz-fb.dk@andritz.com
www.andritz.com/ft