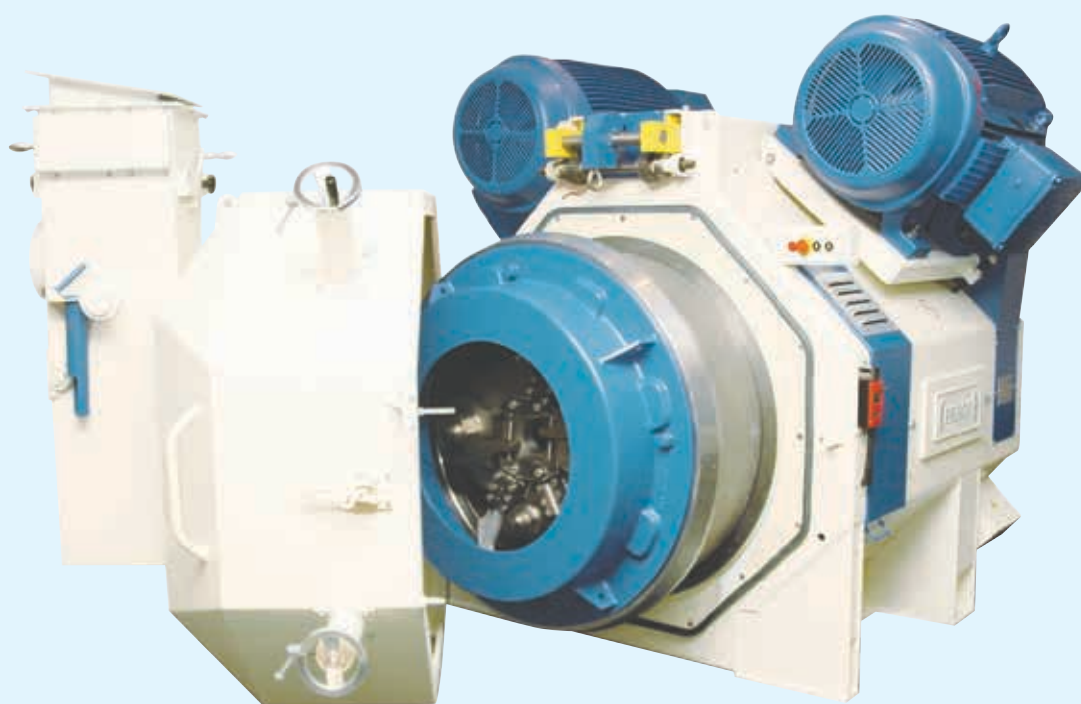


# Pellet mill

## Type Paladin 2000



**The authentic and sturdy Paladin design is constructed with a balanced twin drive system, where the transmission consists of a combination of V-belts and a toothed belt.** The design of the main shaft and rotor allows maximum torque to be applied in the pelleting section. These features make the Paladin pellet mill range universally adaptable machines, en-

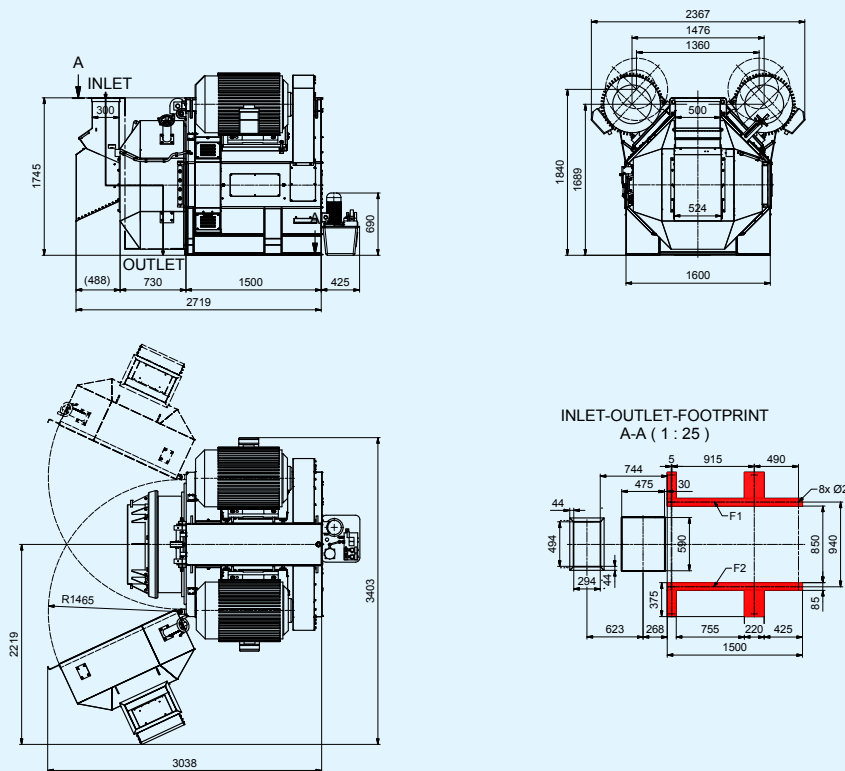
suring that maximum reliability is provided under all working conditions.

The twin drive ensures smooth operation with low levels of vibrations. Furthermore, the twin drive provides a symmetrical load on the main shaft. The symmetrical load is provided by two intermediate shafts driving the main toothed belt pulley and en-

sures a long life time for the main shaft. The die speed is chosen based on the application. If the die speed needs to be adjusted, the easily accessible V-belt pulleys can be changed.

# Pellet mill

## Type Paladin 2000



Dimensions in mm

### Technical data

|                                       |   |
|---------------------------------------|---|
| Paladin 2000                          |   |
| Die inside diameter                   | Ø880 mm   |
| Effective die width                   | 200/250/300 mm  |
| Effective press area                  | 0.55/0.69/0.83 m <sup>2</sup>   |
| Roller diameter                       | Manual - Ø420 mm<br>Auto - Ø405 mm  |
| Maximum motor                         | 2x160kW   |
| Total weight<br>(Incl. 2x160kW motor) | ~9100/~9500 kg  |
| Basic machine includes                | <ul style="list-style-type: none"> <li>■ CE - approval</li> <li>■ Dual stage belt transmission</li> <li>■ Base frame height 400 mm (prepared for motor size H=355)</li> <li>■ Pellet chamber with bolt on universal hinge and universal door lock assembly</li> <li>■ Prepared for automatic lubrication</li> <li>■ 2 cutting knives</li> </ul> |

### Gearing

| Freq  | RPM         | Die speed      |
|-------|-------------|----------------|
| 50 Hz | ~1490 o/min | 5.5* - 7.6 m/s |
| 60 Hz | ~1785 o/min | 6.6* - 9.2 m/s |

\*Some of the low die speeds are not available for high output motors

### Features

|                 |   |
|-----------------|---|
| Roll adjustment | 2 roll manual adjustment.<br>2 roll automatic adjustment. |
| Roll slip       | Only for 2 roll automatic adjustment                      |
| Feeding system  | Pneumatic dump chute bypass with magnet                   |
| Die crane       | Hydraulically operated                                    |
| Tool kit        | Containing torque wrench, allen key, lifting tools etc.   |
| Control voltage | 24 VDC  |
| Ventilation     | Fan mounted on the side                                   |
| Belt tensioning | Hydraulic belt tensioning with overload protection        |

### ANDRITZ Feed & Biofuel A/S

Glentevej 5-7  
6705 Esbjerg, Denmark  
Phone: +45 72 160 300  
andritz-fb.dk@andritz.com  
[www.andritz.com/ft](http://www.andritz.com/ft)