

Pellet mill

Type Paladin 3000



The authentic and sturdy Paladin design is constructed with a balanced twin drive system, where the transmission consists of a combination of V-belts and a toothed belt. The design of the main shaft and rotor allows maximum torque to be applied in the pelleting section. These features make the Paladin pellet mill range universally adaptable machines, en-

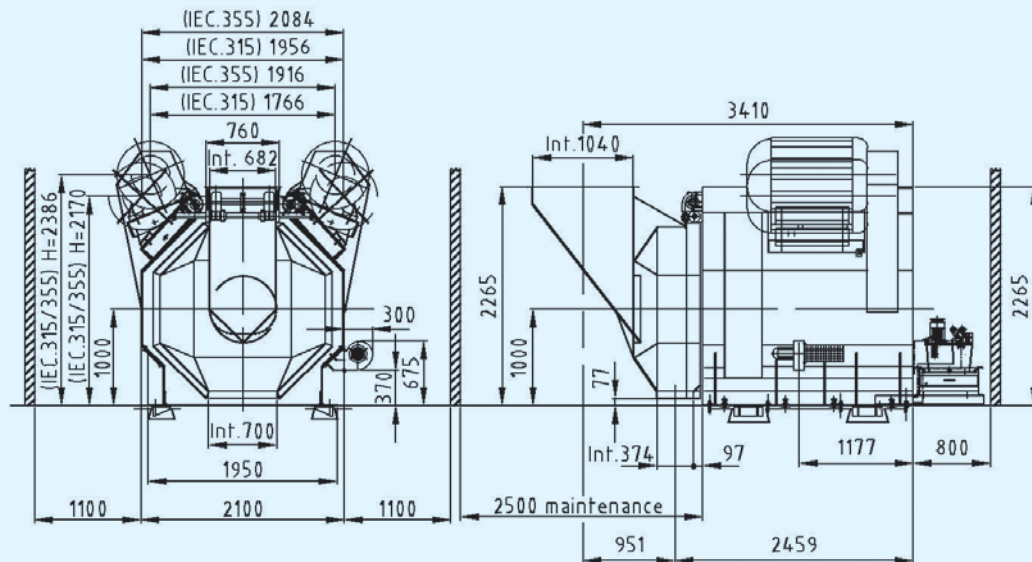
suring that maximum reliability is provided under all working conditions.

The twin drive ensures smooth operation with low levels of vibrations. Furthermore, the twin drive provides a symmetrical load on the main shaft. The symmetrical load is provided by two intermediate shafts driving the main toothed belt pulley and en-

sures a long life time for the main shaft. The die speed is chosen based on the application. If the die speed needs to be adjusted, the easily accessible V-belt pulleys can be changed.

Pellet mill

Type Paladin 3000



Dimensions in mm

Technical data

Paladin 3000	
Die inside diameter	Ø1000 / 1000 / 1100 mm
Effective die width	300 / 350 / 380 mm
Effective press area	0,94 / 1,10 / 1,31 m ²
Roller diameter	Ø490 / 490 / 510 mm
Maximum motor	2x250kW
Total weight (Incl. 2x250kW motor)	~20.300/~21.400 kg
Hydraulic oil pump	0.37 kW /0.75 kW
Basic machine includes	<ul style="list-style-type: none"> ■ CE - approval ■ Dual stage belt transmission ■ Pellet chamber with bolt on universal hinge and universal door lock assembly ■ 2 cutting knives

Gearing

Freq	RPM	Die speed
50 Hz	~1490 o/min	6.0 - 9.0 m/s
60 Hz	~1785 o/min	7.2 - 10.8 m/s

Features

Roll adjustment	2 roll manual adjustment
Auto roll adjustment	Only for 350mm die track
Lubrication	Automatic electrical or pneumatic system
Feeding system	Pneumatic dump chute bypass with magnet
Die crane	Hydraulically operated
Tool kit	Containing torque wrench, allen key, lifting tools etc
Control voltage	24 VDC
Ventilation	Fan mounted on the side
Belt tensioning	Hydraulic belt tensioning with overload protection

ANDRITZ Feed & Biofuel A/S

Glentevej 5-7
6705 Esbjerg, Denmark
Phone: +45 72 160 300
andritz-fb.dk@andritz.com
www.andritz.com/ft